

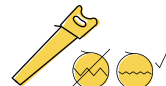


Interior windowsills

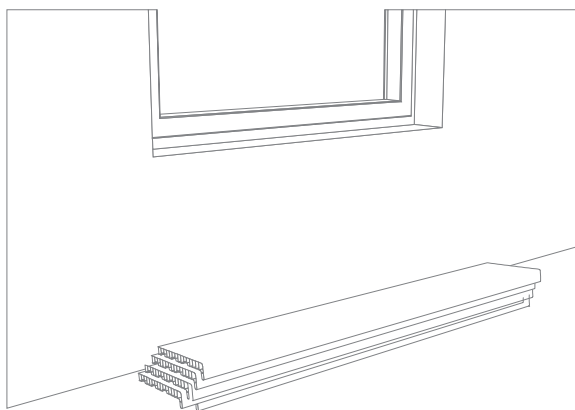


Installation manual

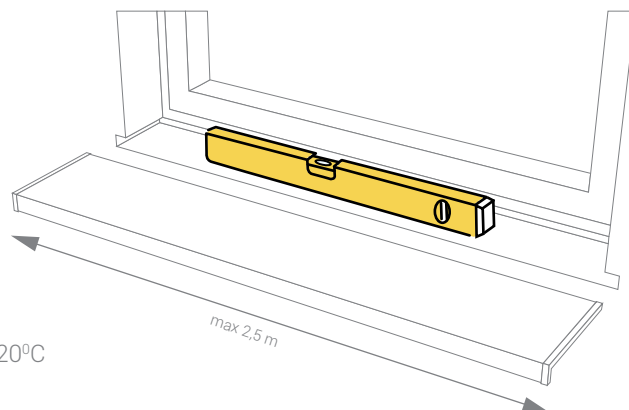
# Installation manual | Chamber windowsill



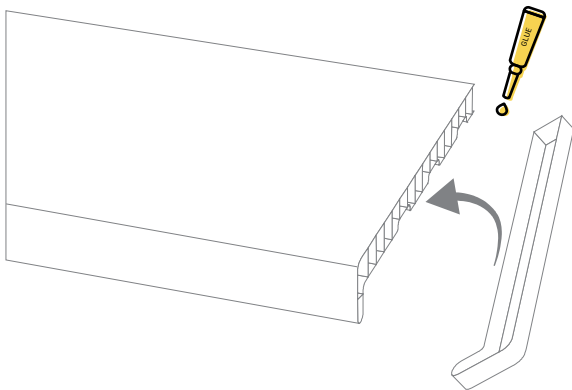
- 1** Before mounting the windowsill, store it for 5 hours in a room at 20°C.



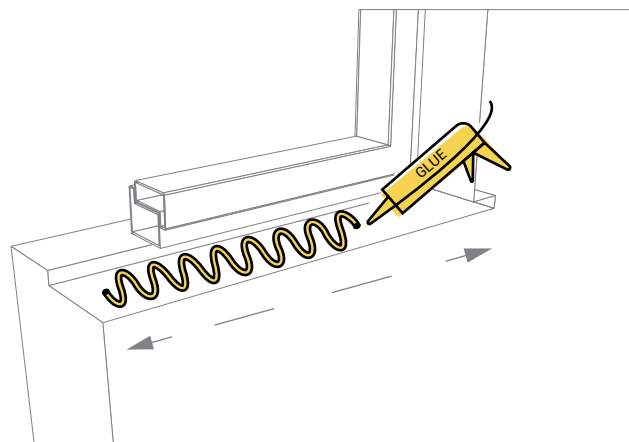
- 2** Measure the window recess, where the windowsill will be mounted. Cut the sill to the desired dimensions using a fine-toothed saw.



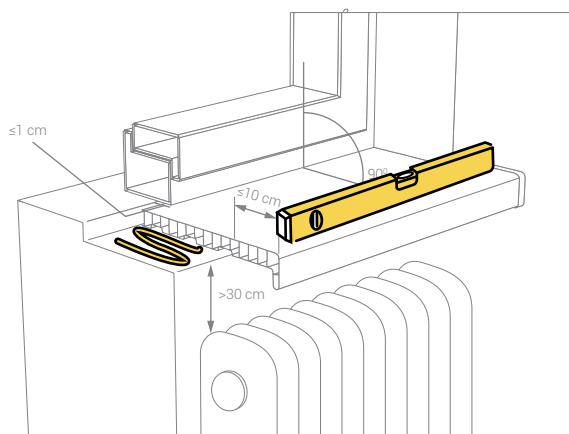
- 3** Fix the end caps of the windowsill using an instant glue (e.g. "Super Glue").



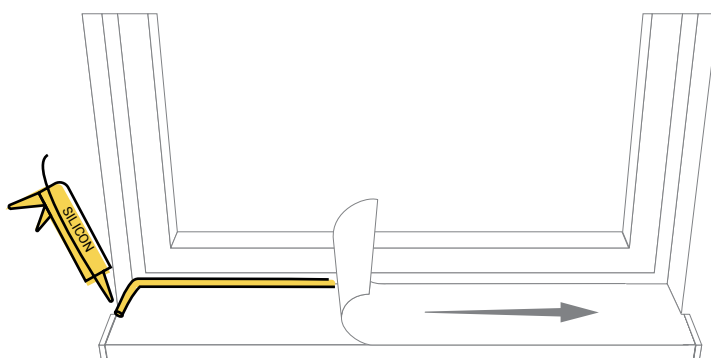
- 4** Clean the substrate to remove dust and apply the installation glue.



- 5** Fit the windowsill in the window recess. Level the profile of the chamber windowsill.



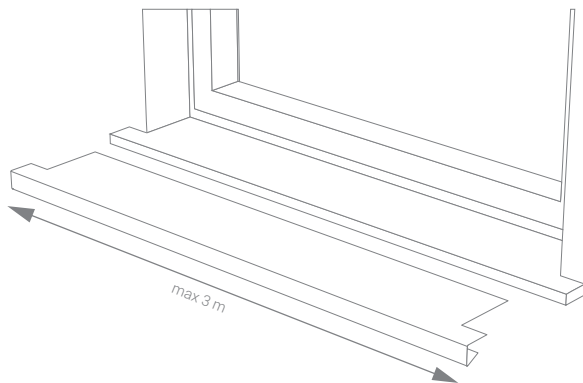
- 6** Remove the protective film from the surface of the windowsill. Fill the gap between the sill and the wall using silicone.



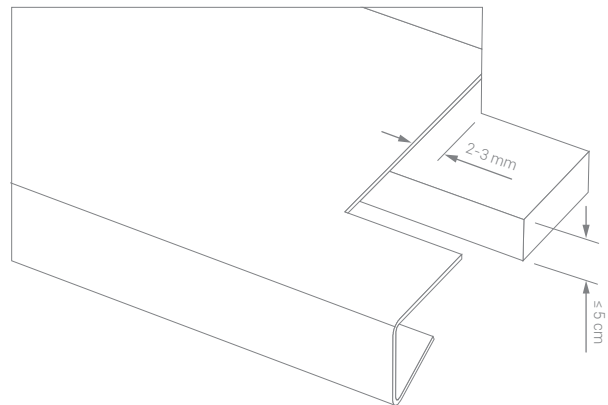
# Installation manual | Windowsill overlay



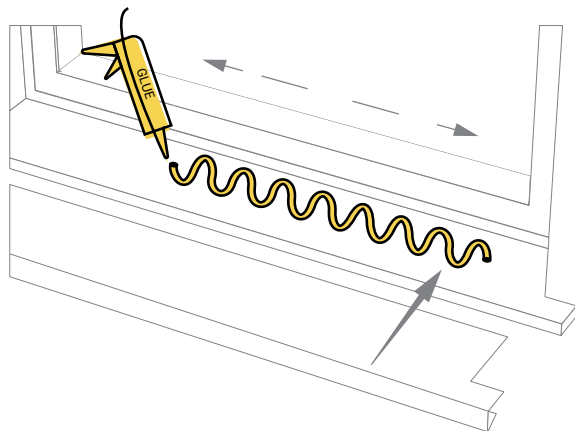
- 1** Before mounting the overlay, store it for 5 hours in a room at 20°C.



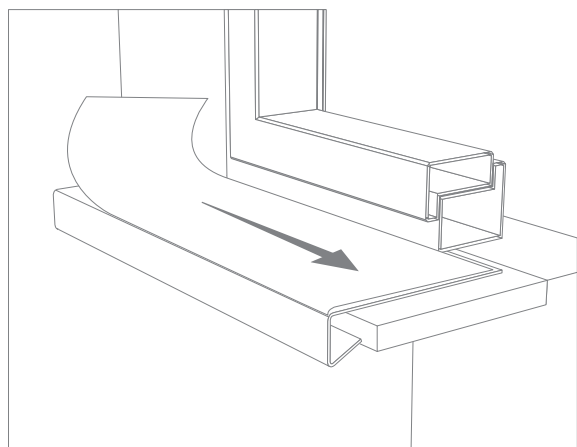
- 2** Measure the window recess, where the overlay will be mounted. Cut the sill to the desired dimensions using a fine-toothed saw.



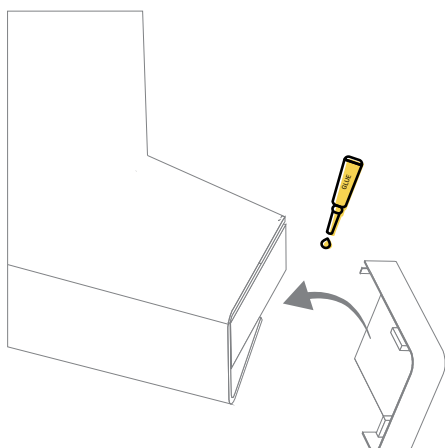
- 3** Clean the substrate to remove dust and apply the installation glue. Slide the overlay onto the old windowsill.



- 4** Remove the protective film from the surface of the overlay.



- 5** Fix the end caps of the overlay using an instant glue (e.g. "Super Glue").



- 6** Fill the gap between the sill and the wall using silicone.

